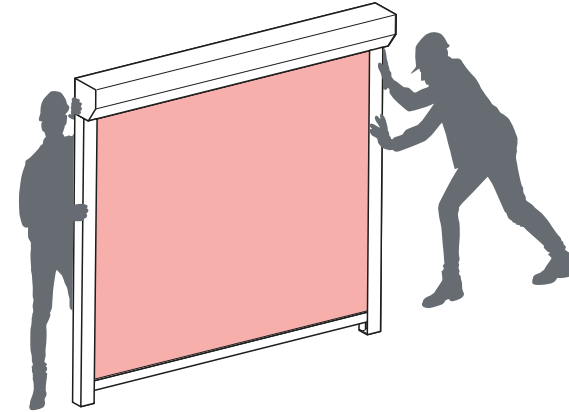


# SCREEN

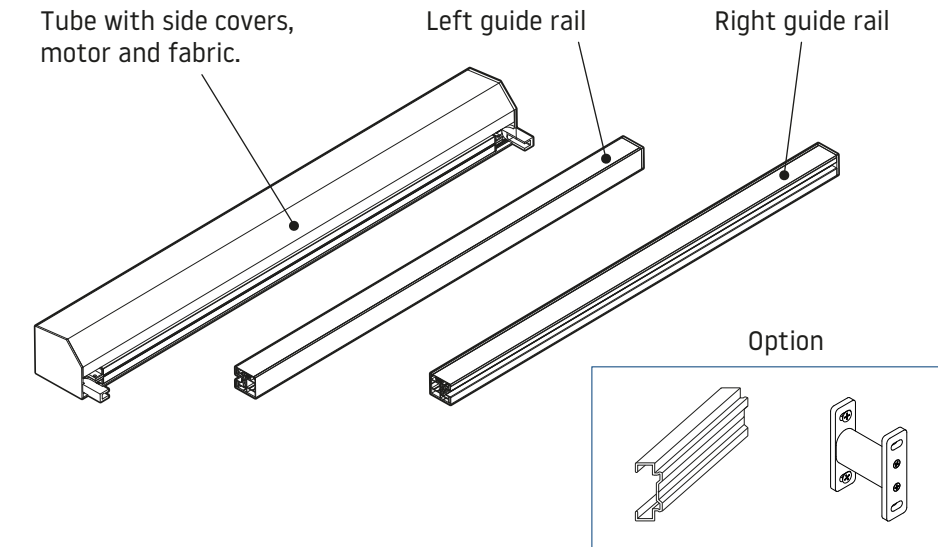
## Installation instruction

### 1 IMPORTANT!

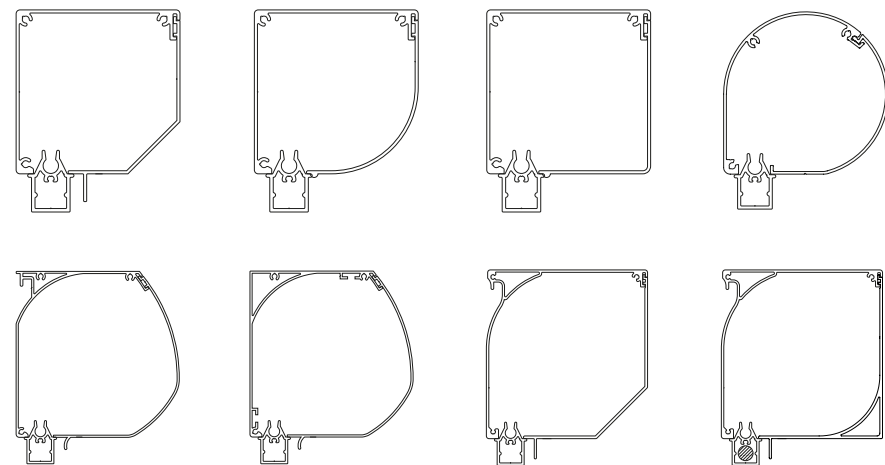
To carry out the correct and safe installation of the product two people are essential.



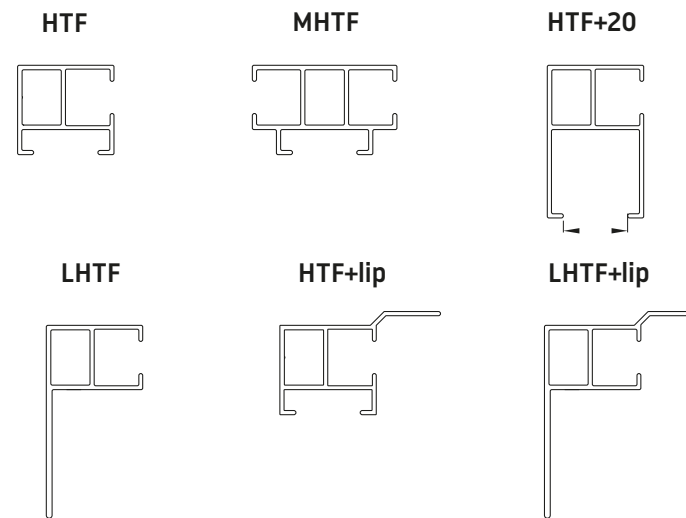
### 2 Parts in the package



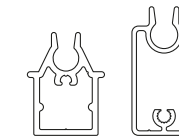
### 3 Box shapes



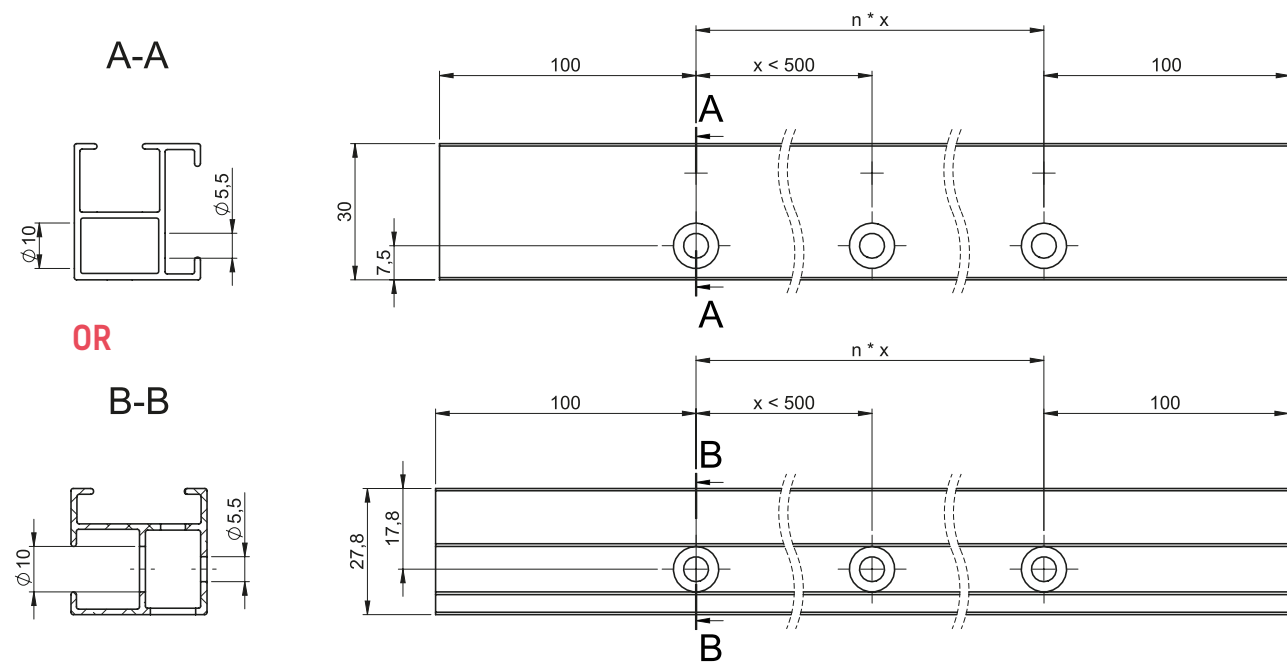
### 4 Types of guide rails



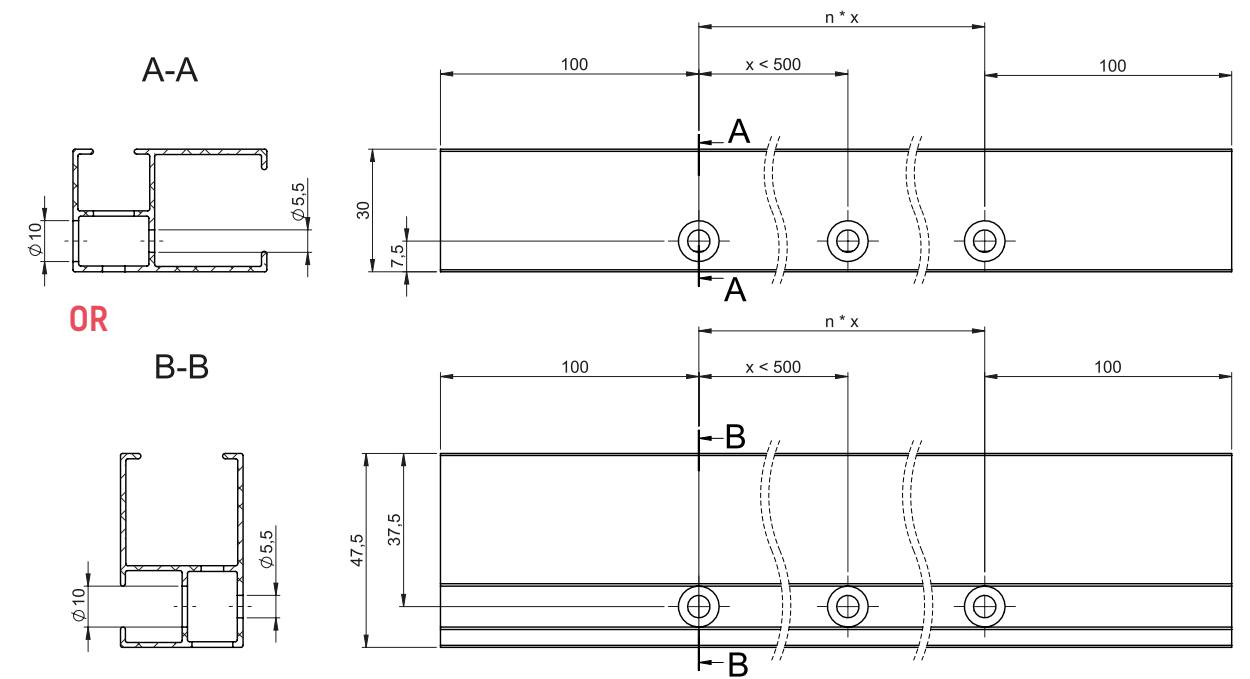
### 5 End slats



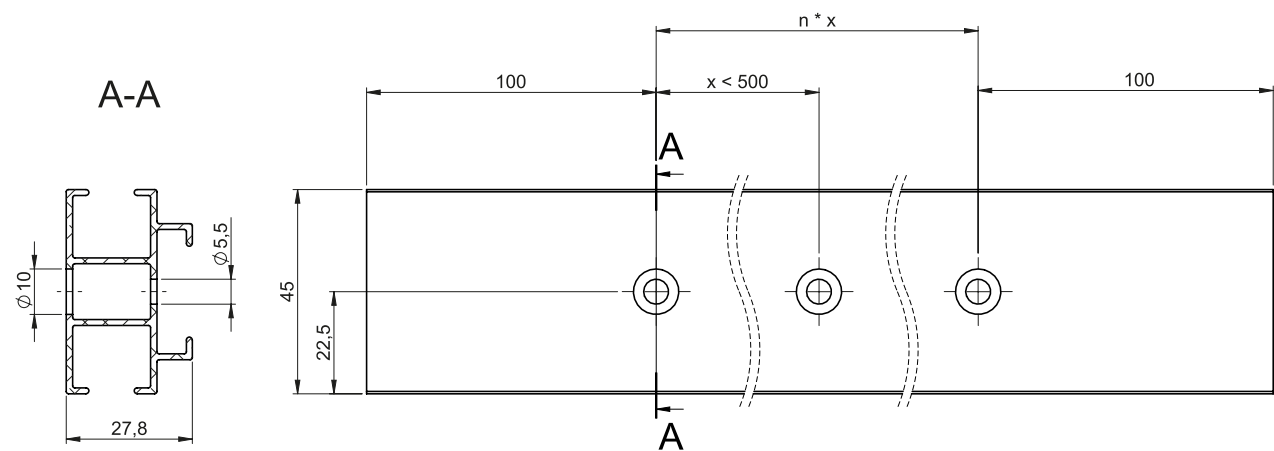
### 6.1 Making mounting holes in the Screen HTF guide rail



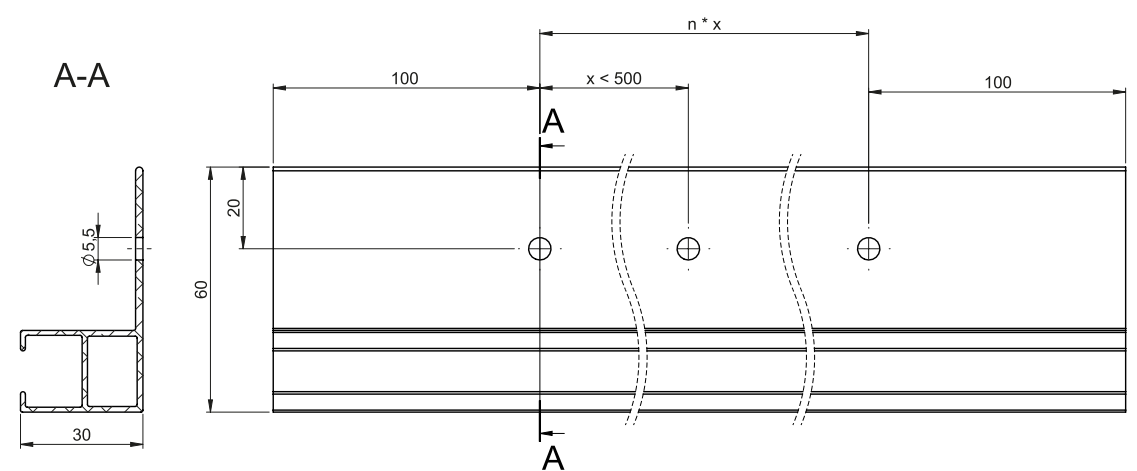
### 6.2 Making mounting holes in the Screen HTF+20 guide rail



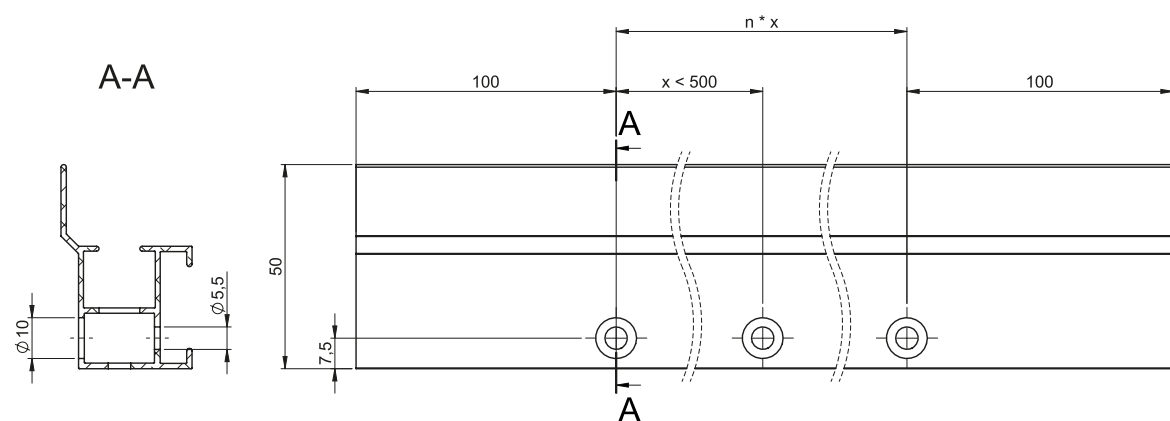
### 6.3 Making mounting holes in the Screen MHTF guide rail



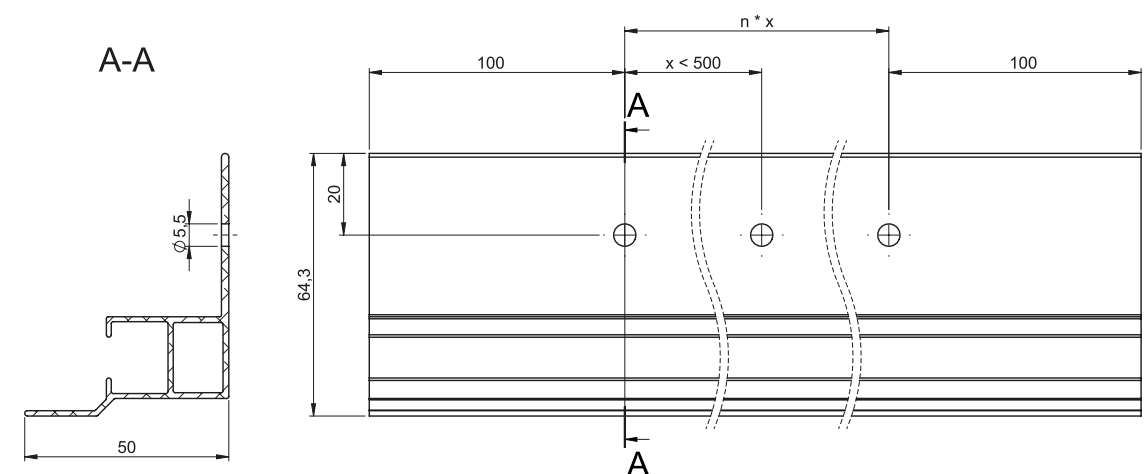
### 6.4 Making mounting holes in the Screen LHTF guide rail



### 6.5 Making mounting holes in the RS Smart STG-Click guide rail

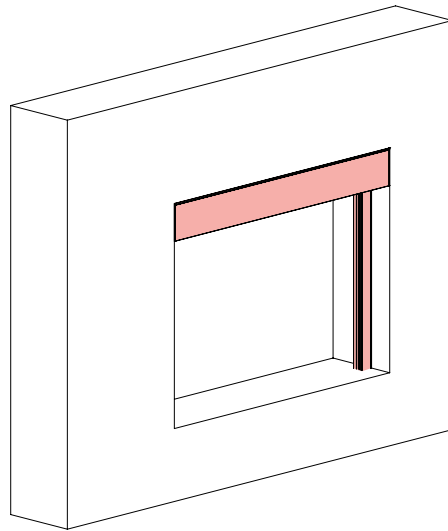


### 6.6 Making mounting holes in the Screen LHTF+lip guide rail



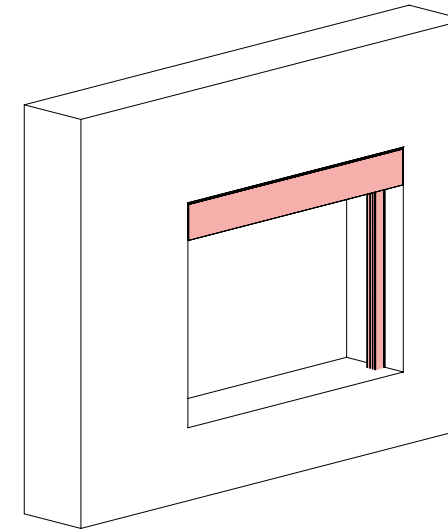
# Types of installation

Product installation in a recess/ pergola.

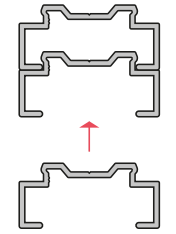


Go to point 7

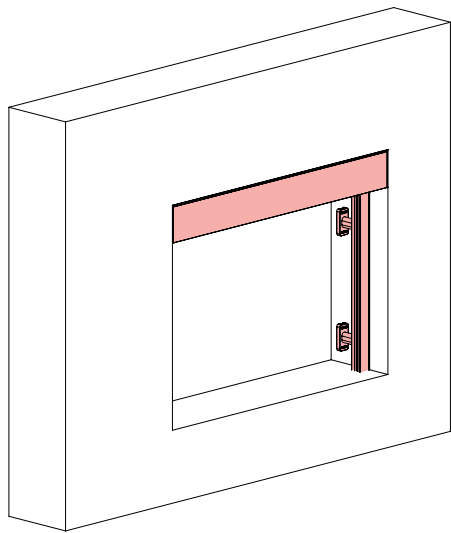
Product installation in a recess on offset profiles



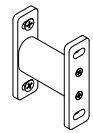
Go to point 8



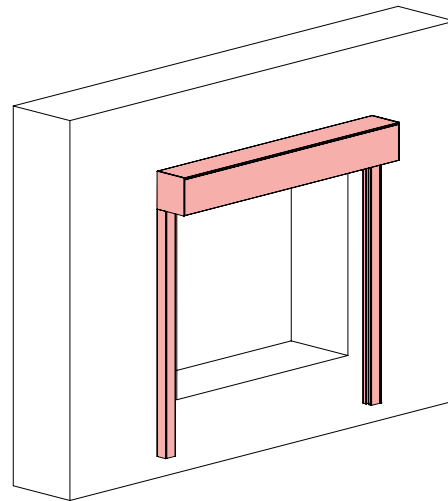
Product installation in a recess on spacers



Go to point 9

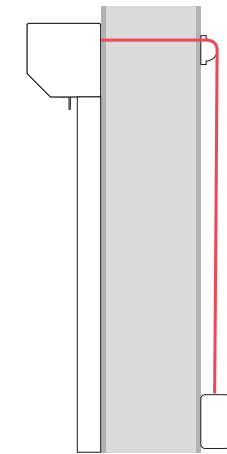


Product installation on a facade



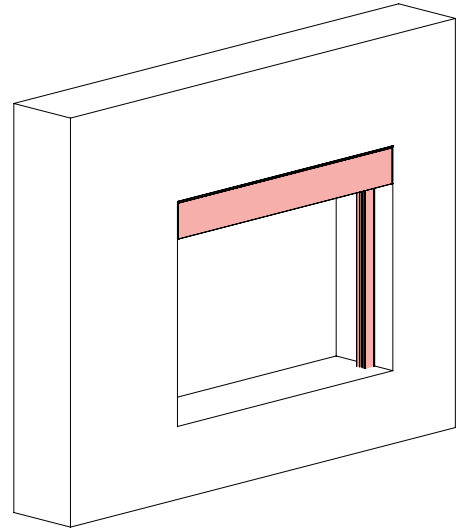
Go to point 10

Product installation on a strap or cord.



Go to point 11

## 7. Product installation in a recess/ pergola.



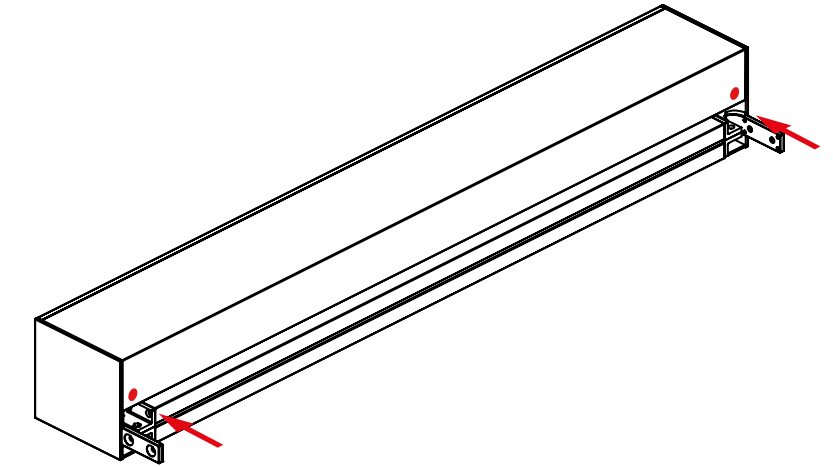
Point 7

## 7. General information.

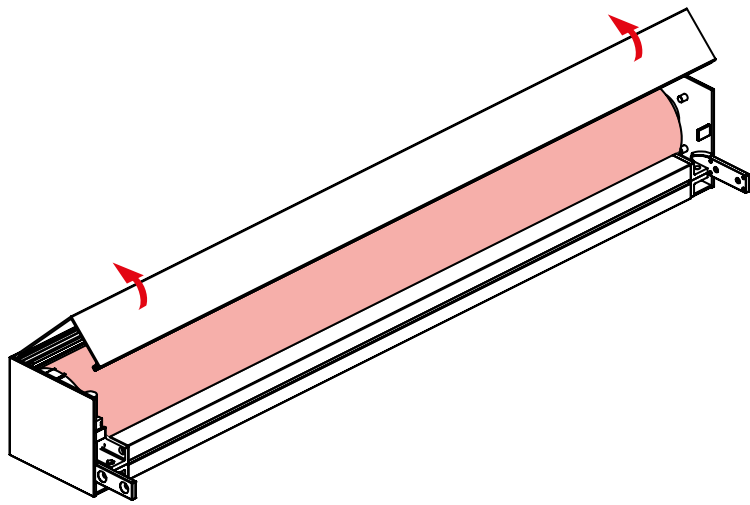
In the case of the product above

**> 4 m**  
make additional steps.

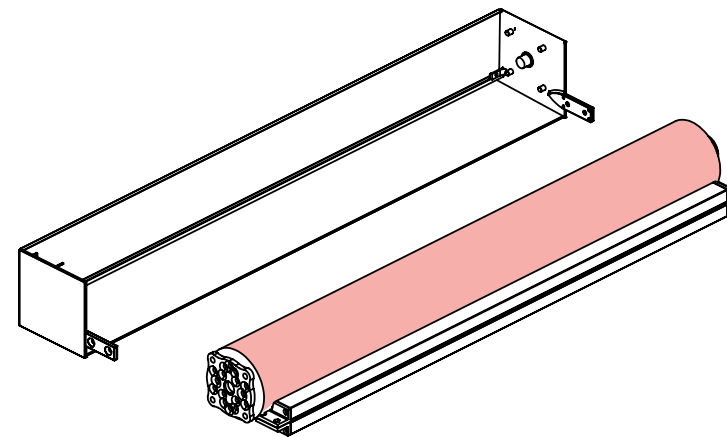
## 7.1 Remove the two screws from the box cover.



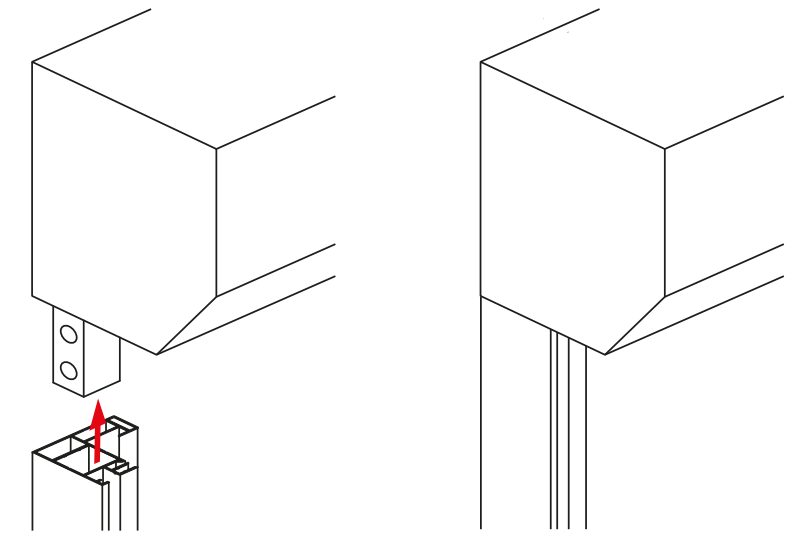
## 5.2 Remove the cover and store it in a safe place.



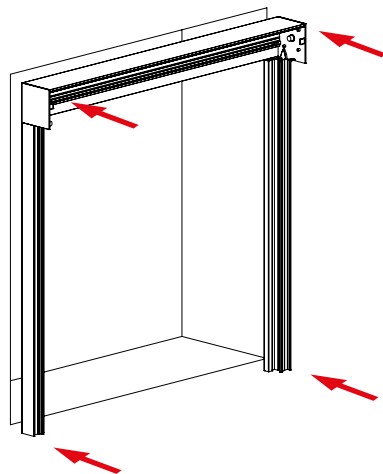
## 7.3 If it is not possible to disassemble the tube with the fabric (the motor bolted directly to the side) - go to the next point. If dismantling is possible, do so.



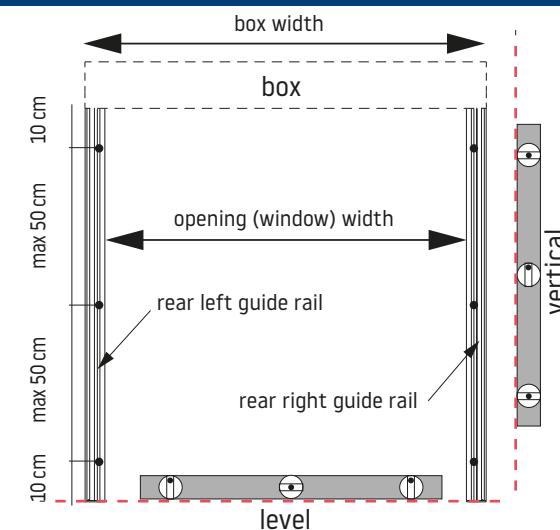
## 7.4 Slide the guide rails onto the box pin.



## 7.5 Mount the product into the recess.



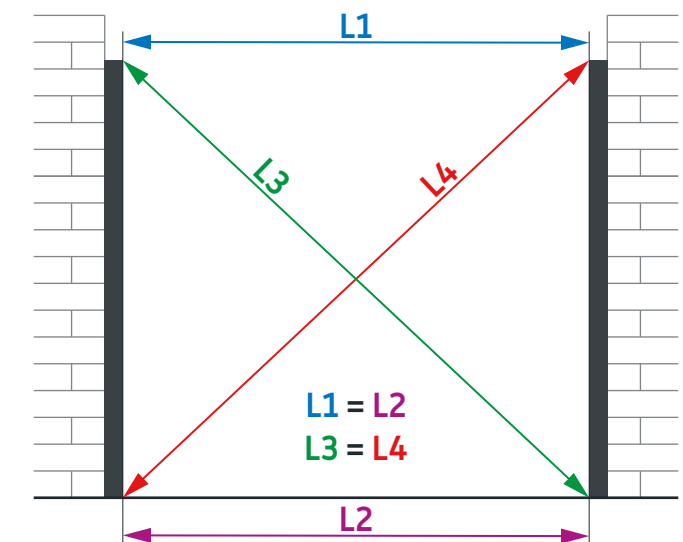
## 7.6 Install the rear parts of the guide rails to the wall. In order to make mounting holes, go to point 6.



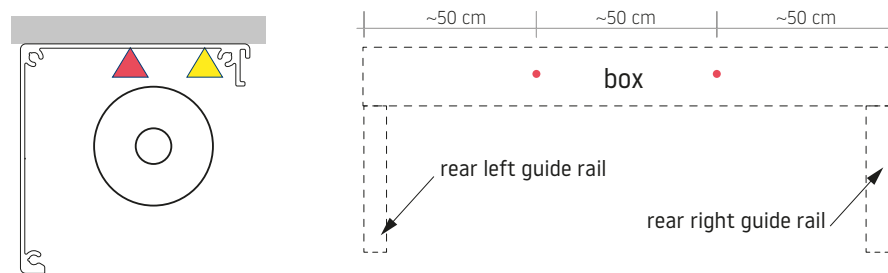
Level the guide rails and adjust their spacing to the width of the box.

Fix the mounting pins (suitable for the bed) through the mounting holes (see point 6).

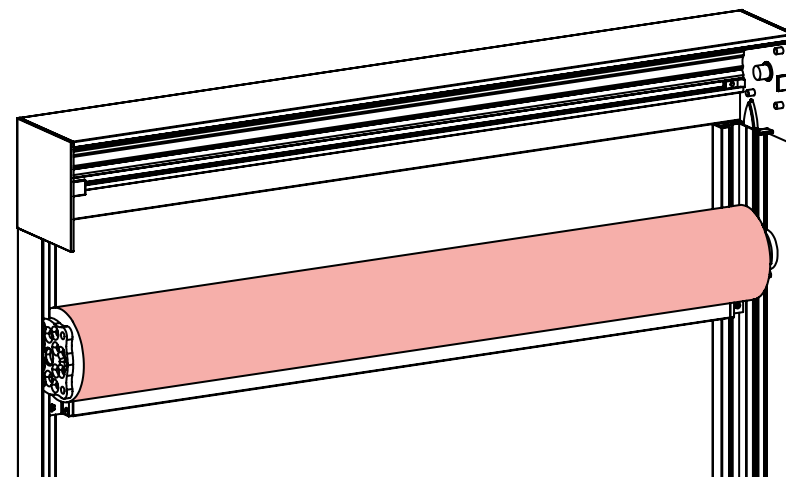
## 7.7 Check the width and diagonals.



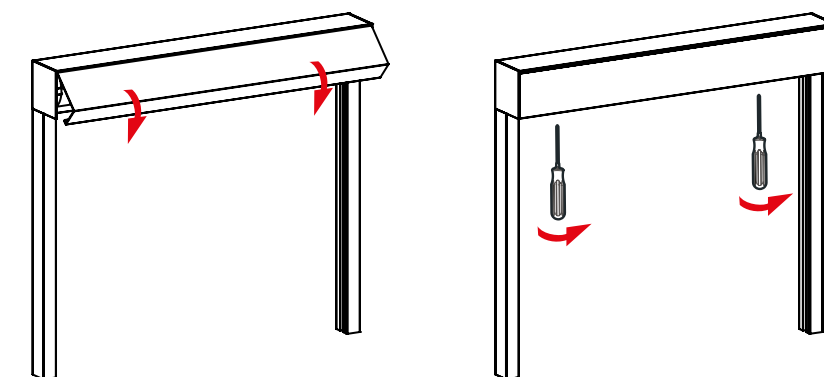
**7.8** Screw the box to the recess. ▲ If it is not possible to disassemble the tube with the fabric, connect the power supply and extend the fabric as far as possible, then protect it against damage, make holes and fasten it with screws in the designated places. ▲



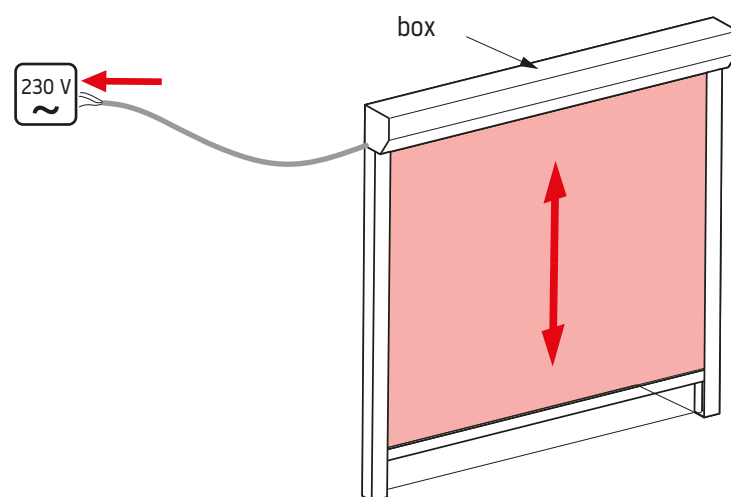
**7.9** Install the tube with the fabric.



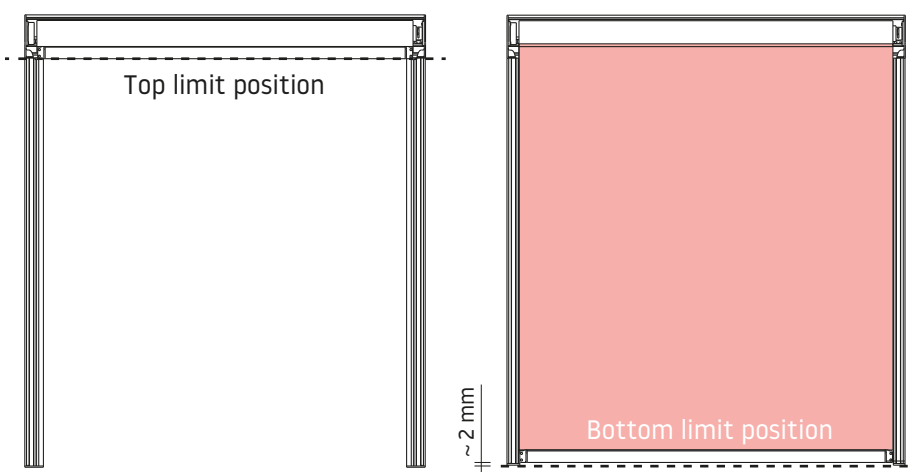
**7.10** Install the box cover and screw it.



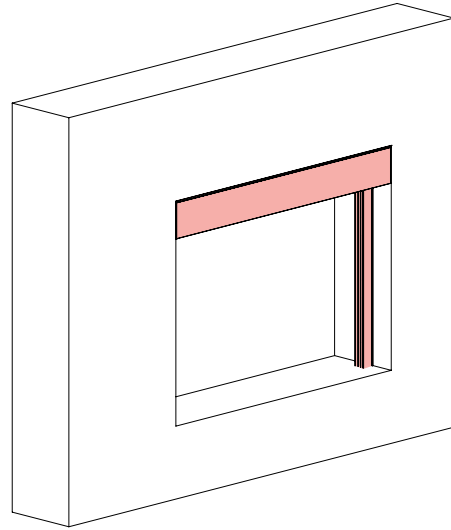
**7.11** Connect the power to the motor, then extend and retract the fabric.



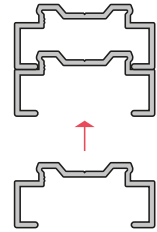
**7.12** Set limit positions.



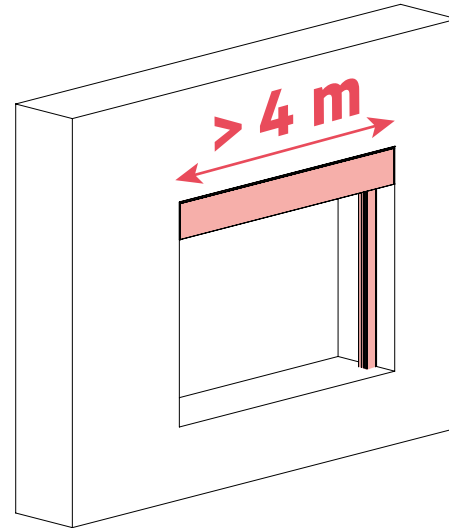
**8. Product installation in a recess/ pergola on offsets profiles.**



**Point 8**



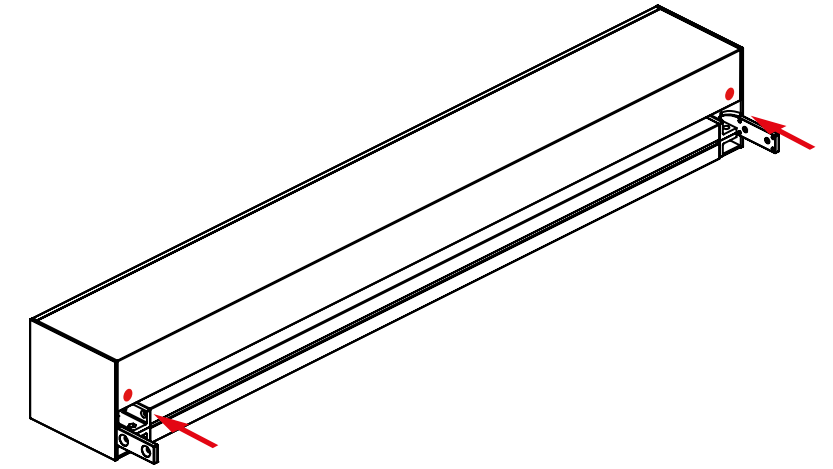
**General information.**



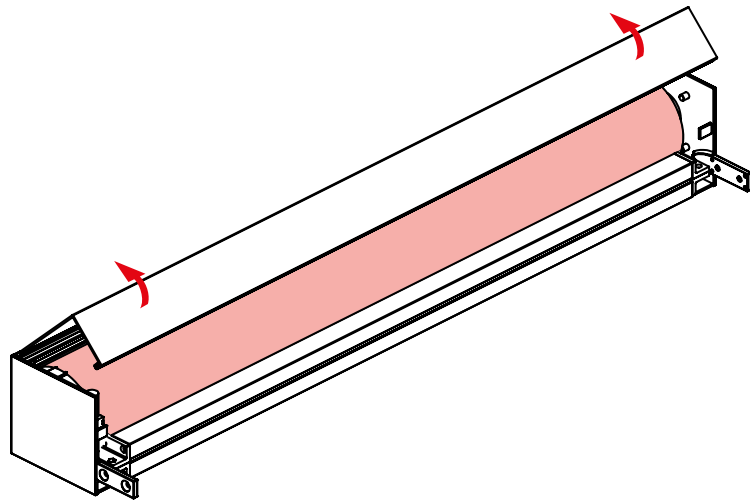
**> 4 m**

In the case of the product above 400cm width, make additional steps.

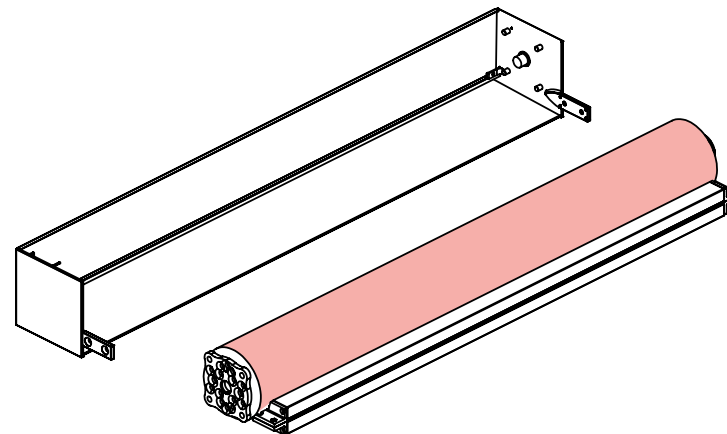
**8.2 Remove the two screws from the box cover.**



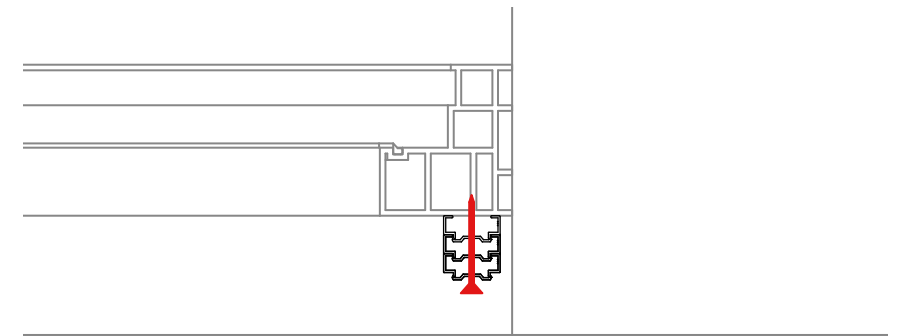
**8.2 Remove the cover and store it in a safe place.**



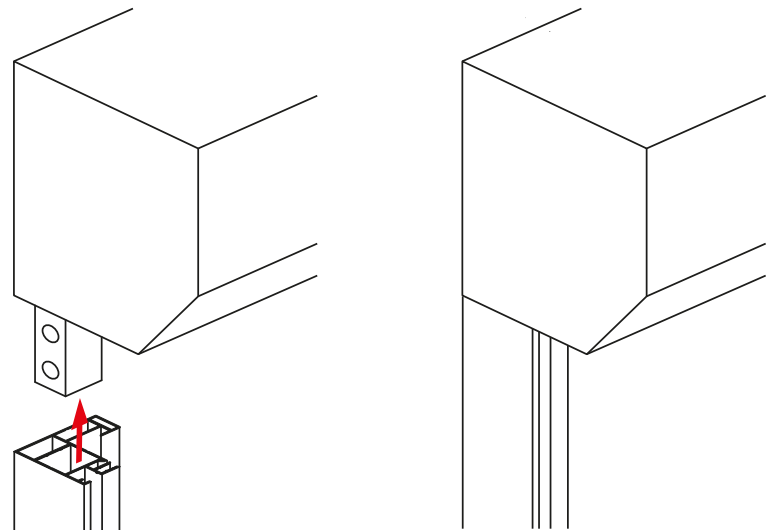
**8.3 If it is not possible to disassemble the tube with the fabric (the motor bolted directly to the side) - go to the next point. If dismantling is possible, do so.**



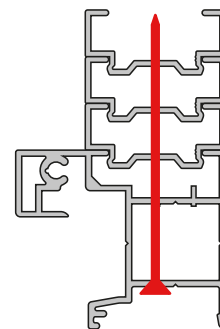
**8.4 Screw the offset profiles to the window frame. Remember to keep it upright. Pay attention to the width of the product.**



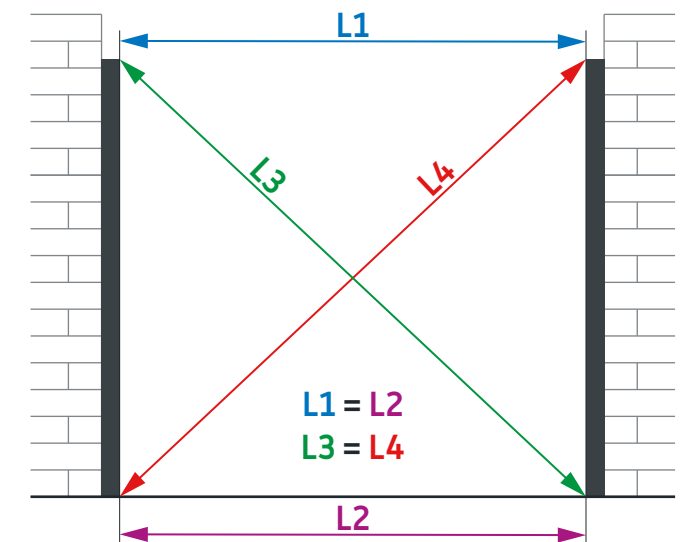
**8.5 Slide the guide rails onto the box pin.**



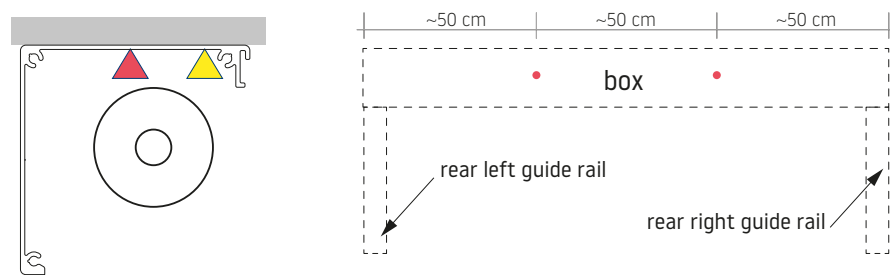
**8.6 Mount the guide rail to the offset profiles and screw the elements together using sheet metal screws. Adjust the length of the sheet metal screw so as to screw it to the window frame.**



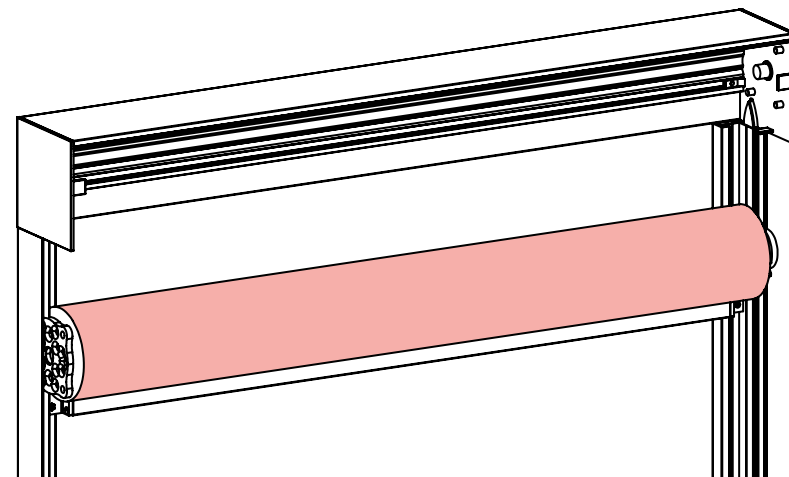
**8.7 Check the width and diagonals.**



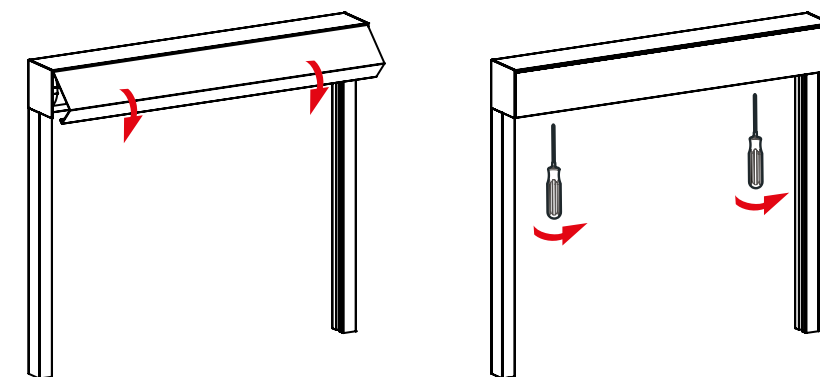
**8.8** Screw the box to the recess. ▲ If it is not possible to disassemble the tube with the fabric, connect the power supply and extend the fabric as far as possible, then protect it against damage, make holes and fasten it with screws in the designated places. ▲



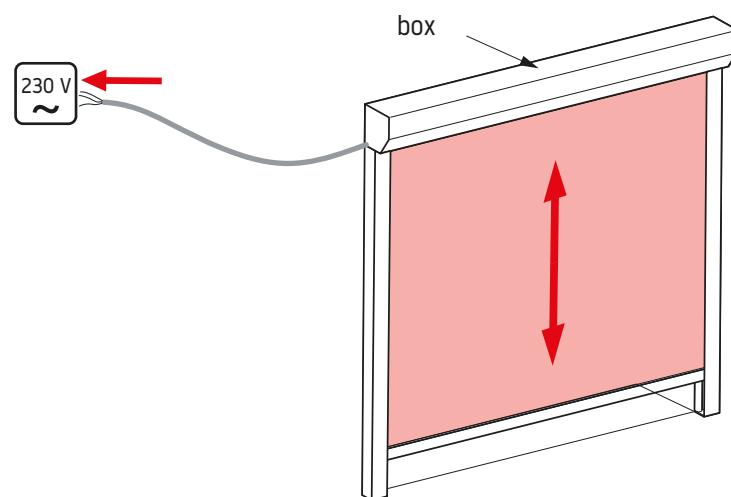
**8.9** Install the tube with the fabric.



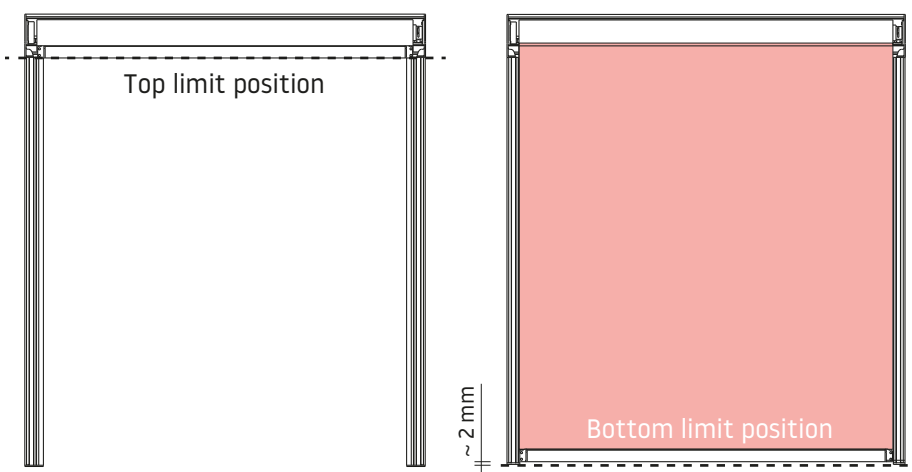
**8.10** Install the box cover and screw it.



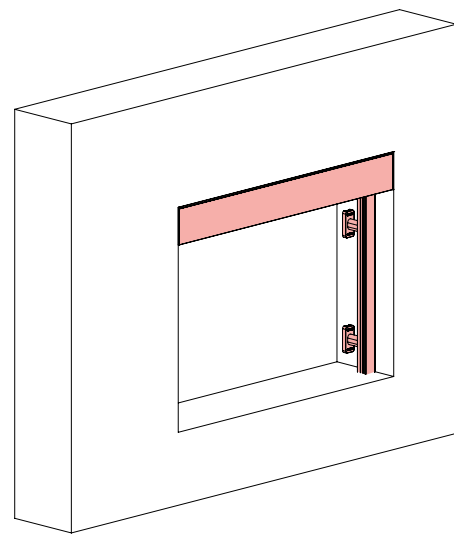
**8.11** Connect the power to the motor, then extend and retract the fabric.



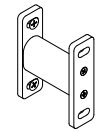
**8.12** Set limit positions.



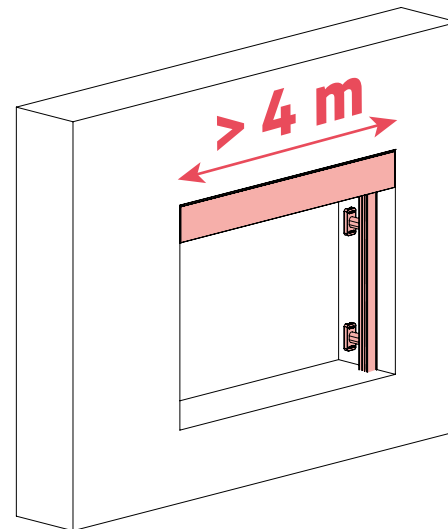
## 9. Product installation in a recess on spacers



**Point 9**



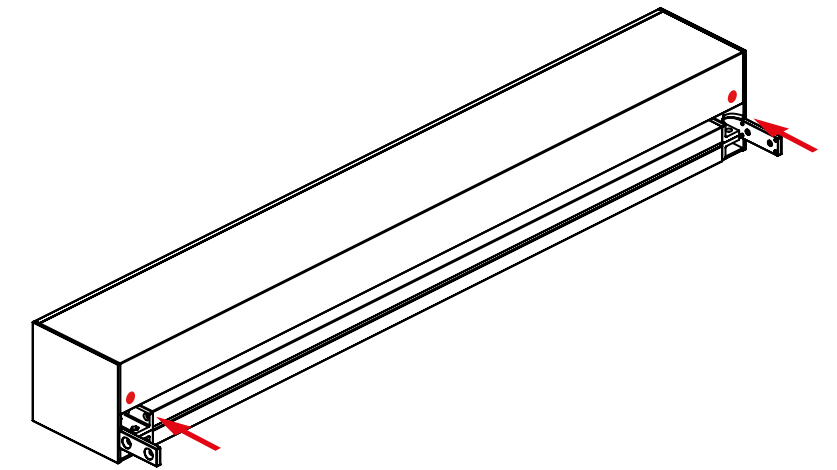
## General information



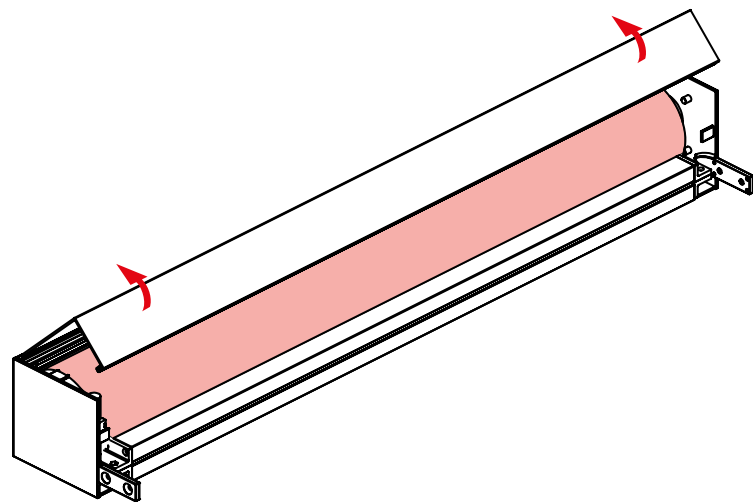
**> 4 m**

In the case of the product above 400cm width, make additional steps.

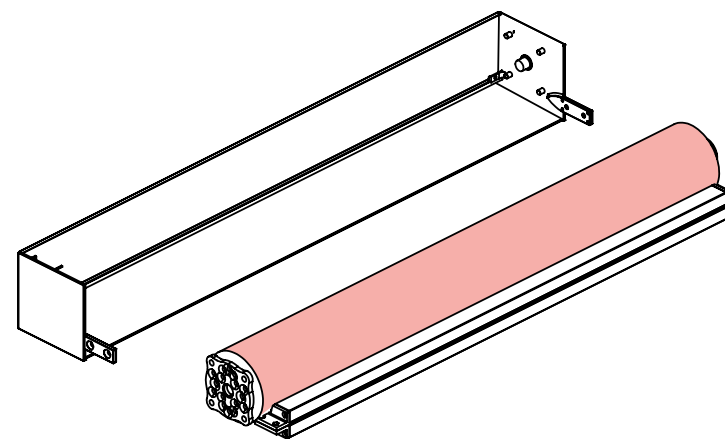
## 9.1 Remove the two screws from the box cover.



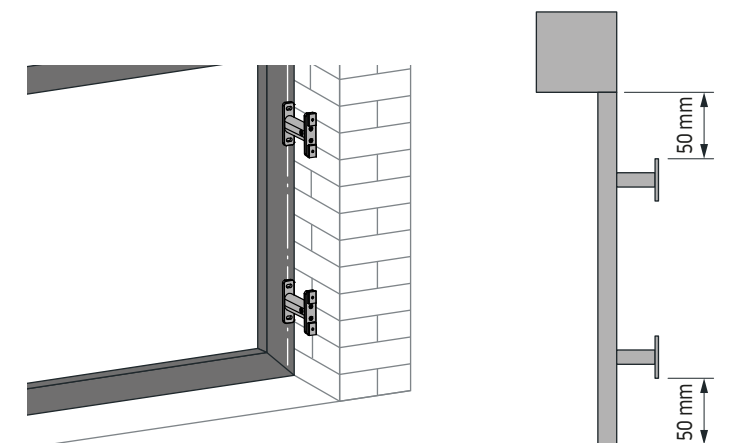
## 9.2 Remove the cover and store it in a safe place.



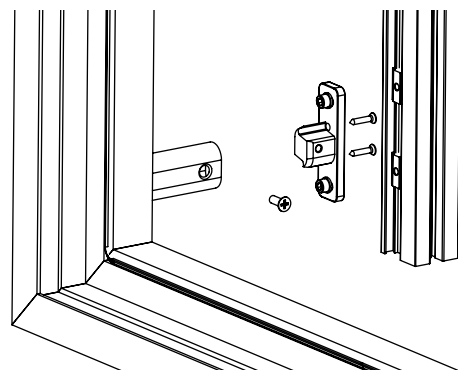
## 9.3 If it is not possible to disassemble the tube with the fabric (the motor bolted directly to the side) - go to the next point. If dismantling is possible, do so.



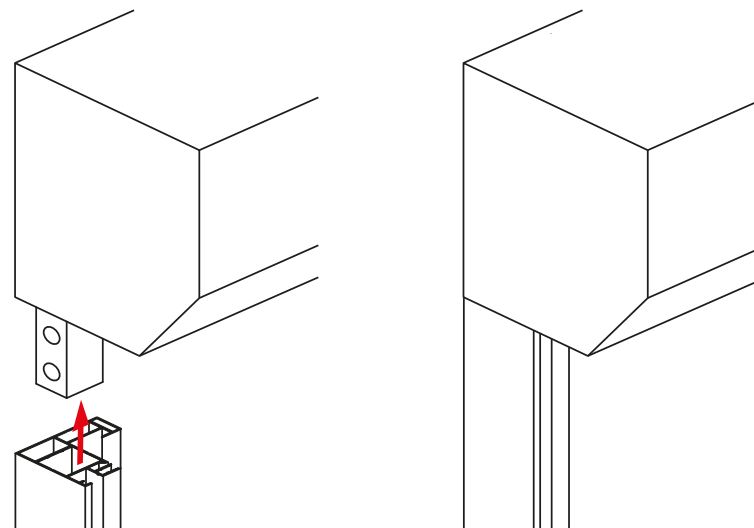
## 9.4 Install the spacers vertically.



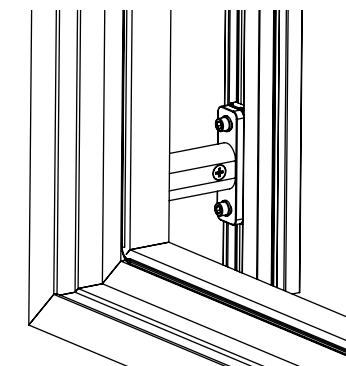
## 9.5 Unscrew the spacer and mount one part to the facade / window, and the other part to the guide rail.



## 9.6 Slide the guide rails onto the box pin.

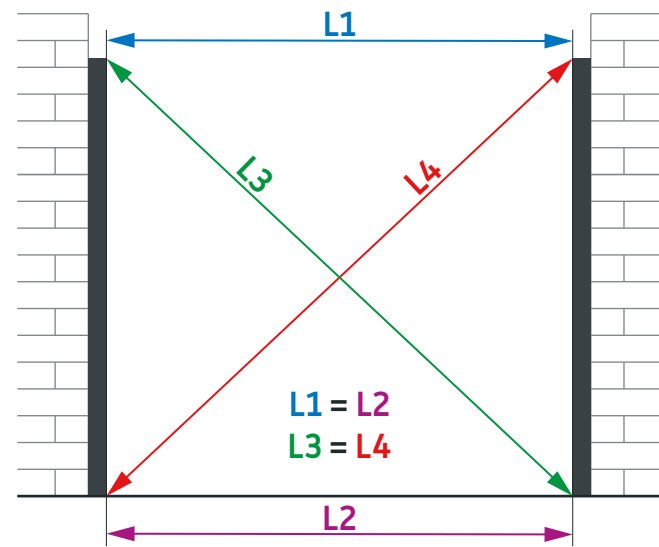


## 9.7 Secure the legs with the securing screw.

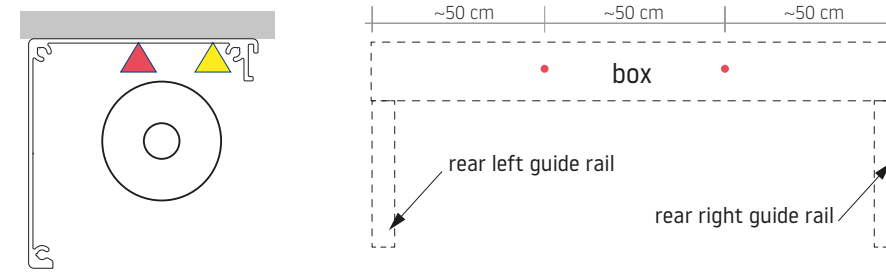




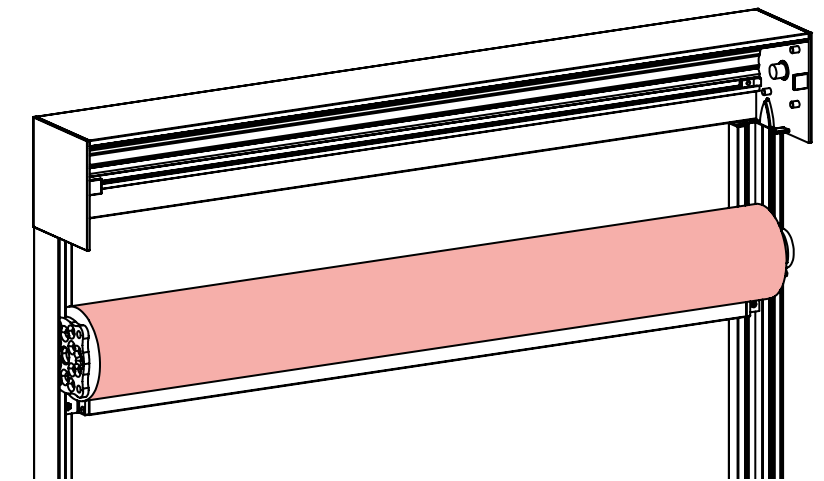
**9.8** Check the width and diagonals.



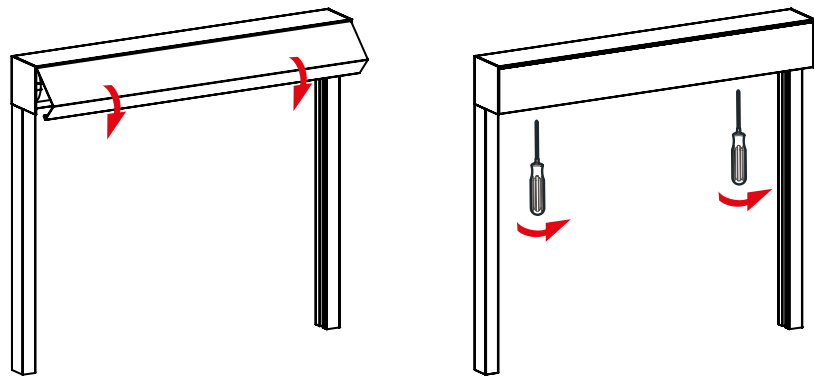
**9.9** Screw the box to the recess. ▲ If it is not possible to disassemble the tube with the fabric, connect the power supply and extend the fabric as far as possible, then protect it against damage, make holes and fasten it with screws in the designated places. ▲



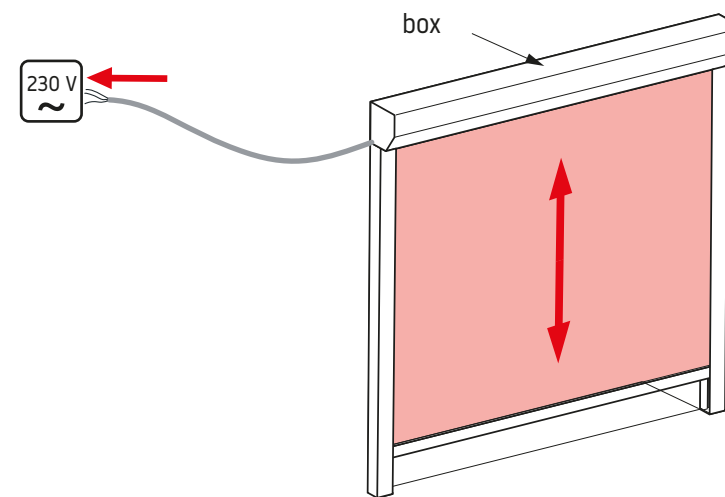
**7.10** Install the tube with the fabric.



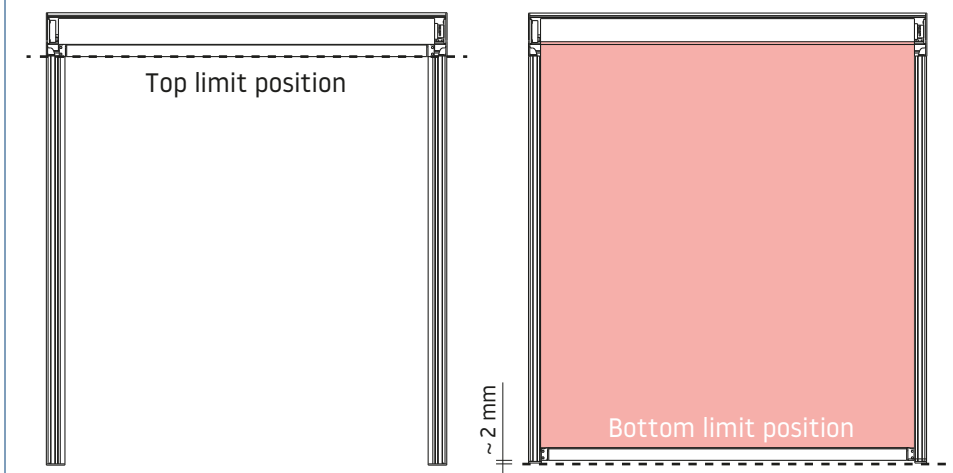
**9.11** Install the box cover and screw it.



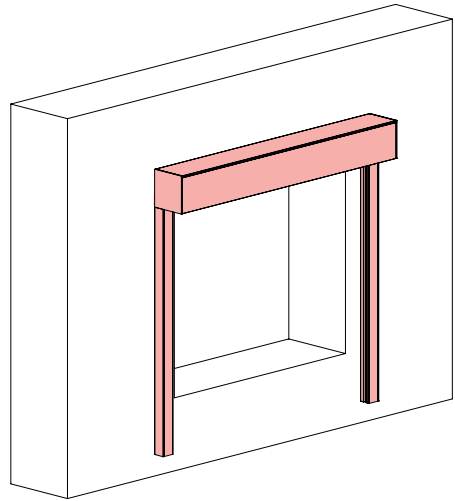
**9.12** Connect the power to the motor, then extend and retract the fabric.



**9.13** Set limit positions.

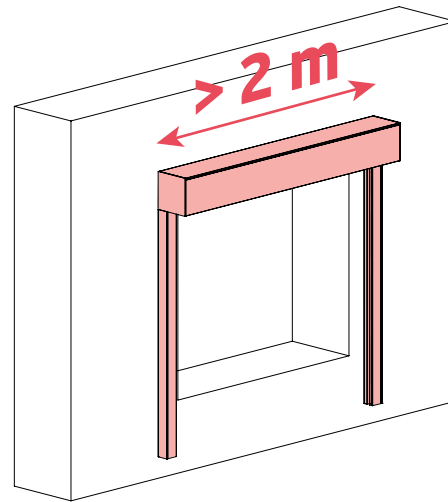


## 10 Product installation on a facade



Point 10

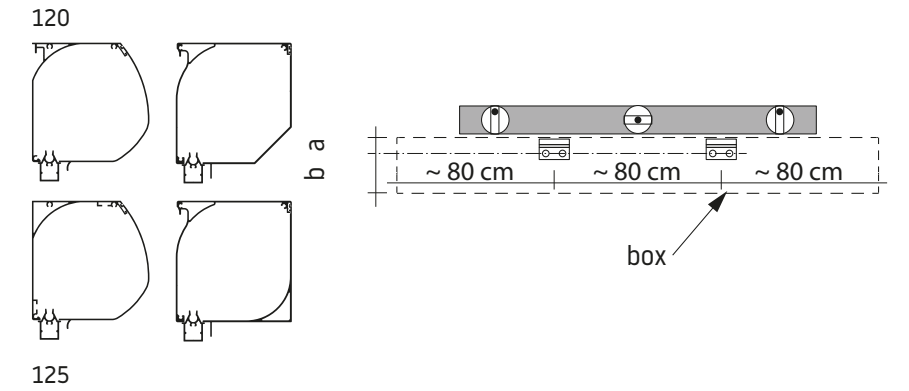
## General information



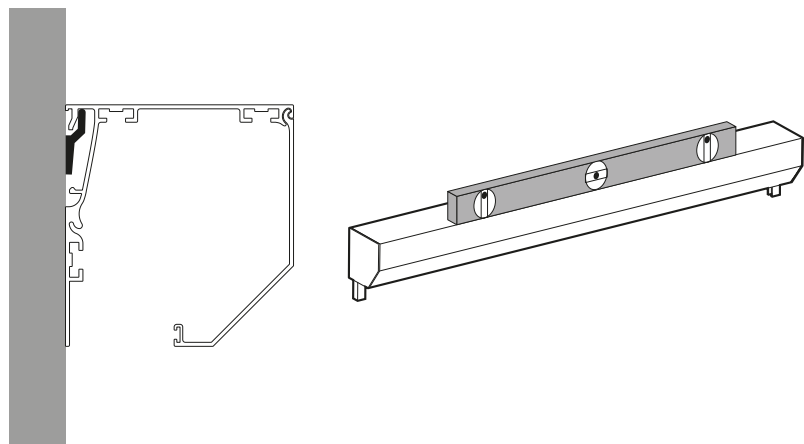
> 2 m

In the case of the product above 4m width, make additional steps (for boxes 120 and 125).

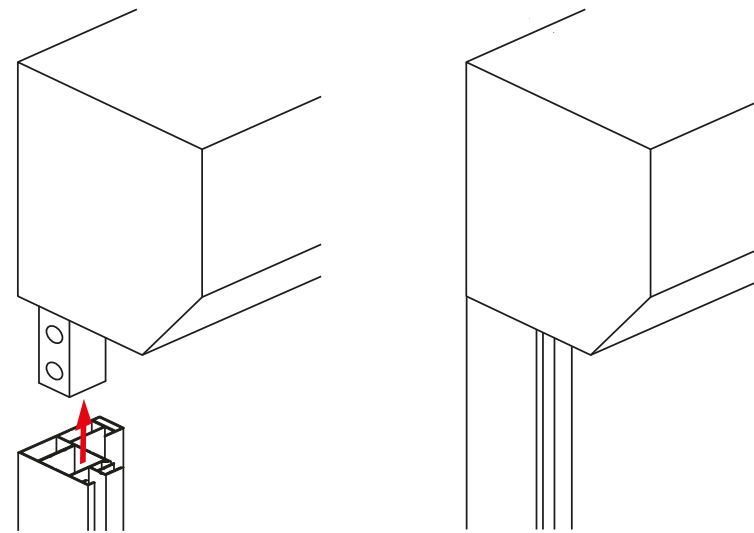
## 10.1 Install the brackets on the facade.



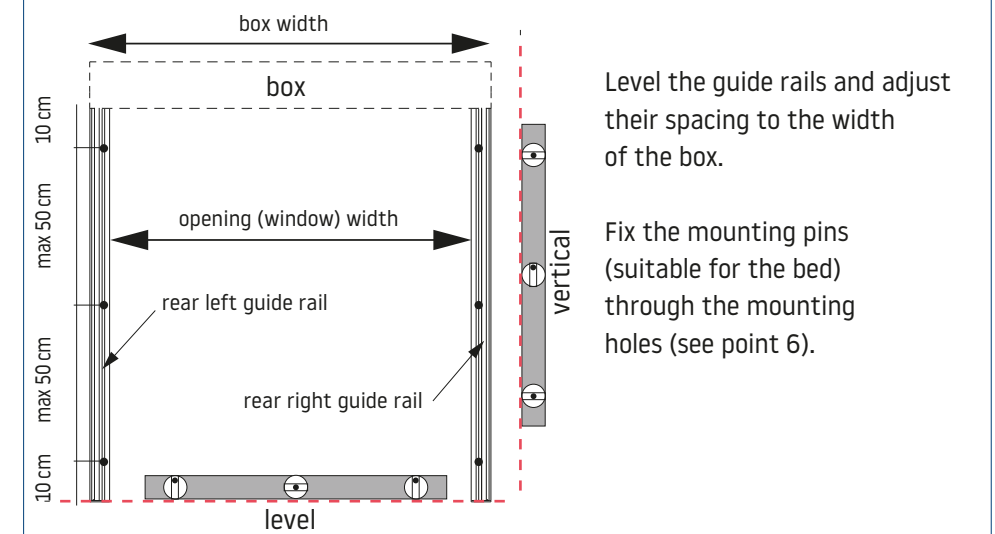
## 10.2 Mount the box on the support brackets and check the level.



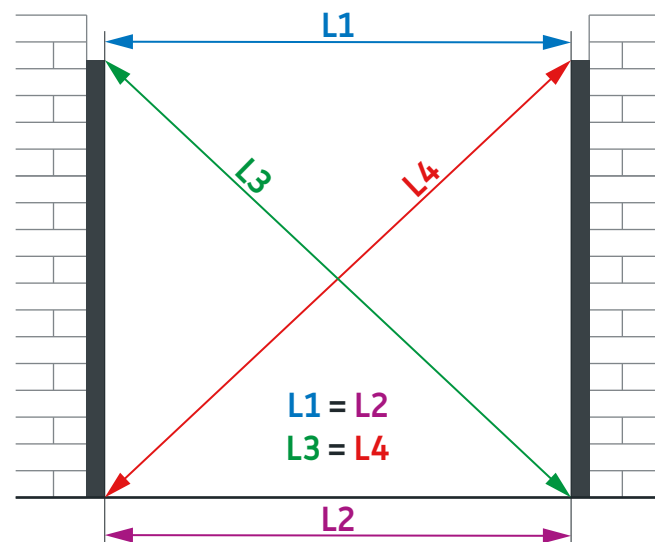
## 10.3 Slide the guide rails onto the box pin.



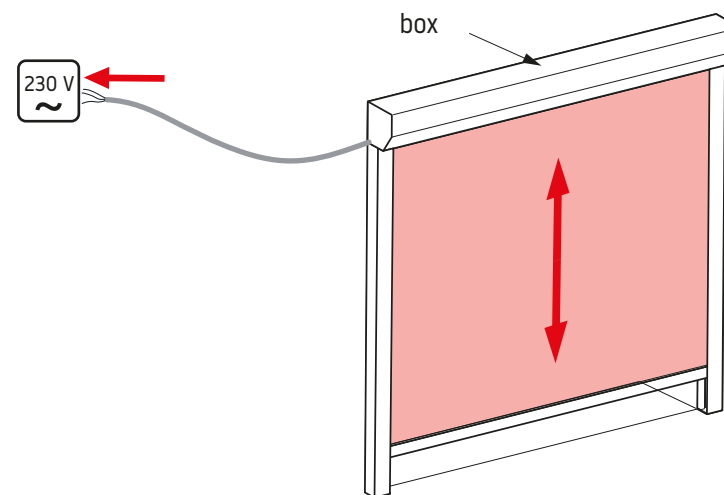
## 10.4 Install the rear parts of the guide rails to the wall.



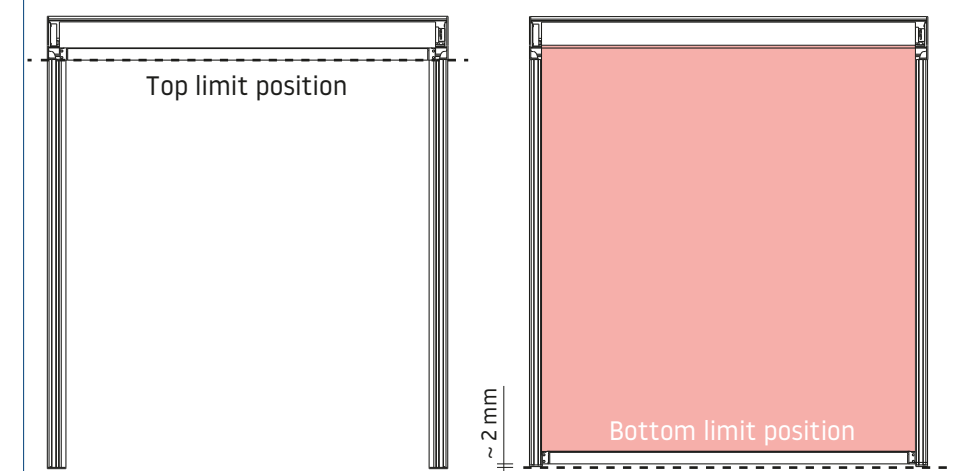
## 10.5 Check the width and diagonals.



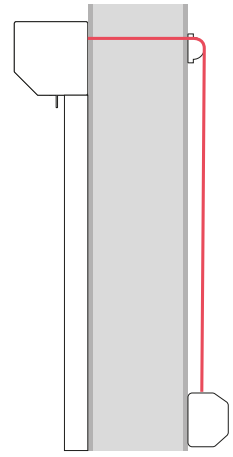
## 10.6 Connect the power to the motor, then extend and retract the fabric.



## 10.7 Set limit positions.

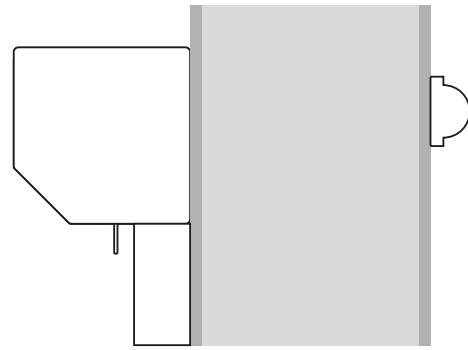


**11. Product installation on a strap or cord.**

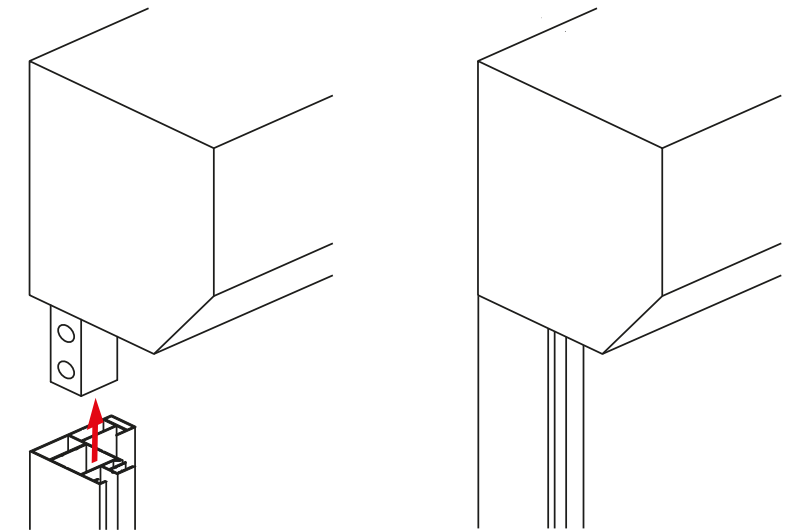


**Point 11**

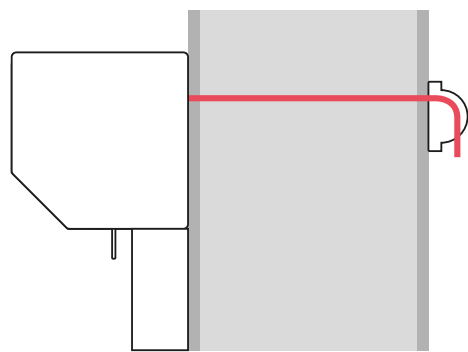
**11.1** Make a hole for the strap or cord to pass through. Install the guide roller on the other side.



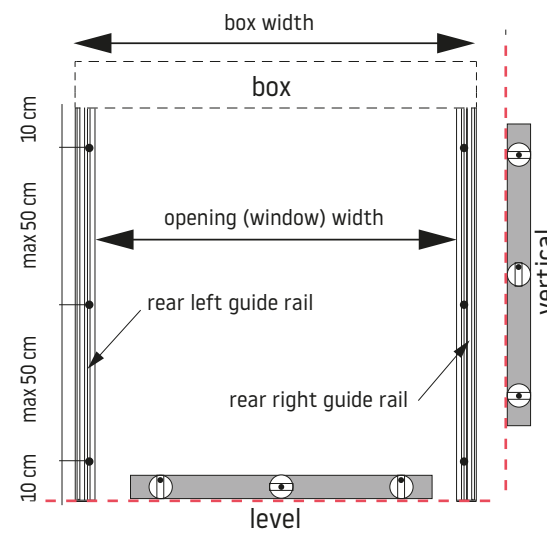
**11.2** Slide the guide rails onto the box pin.



**11.3** Pass the strap or cord through the hole made.



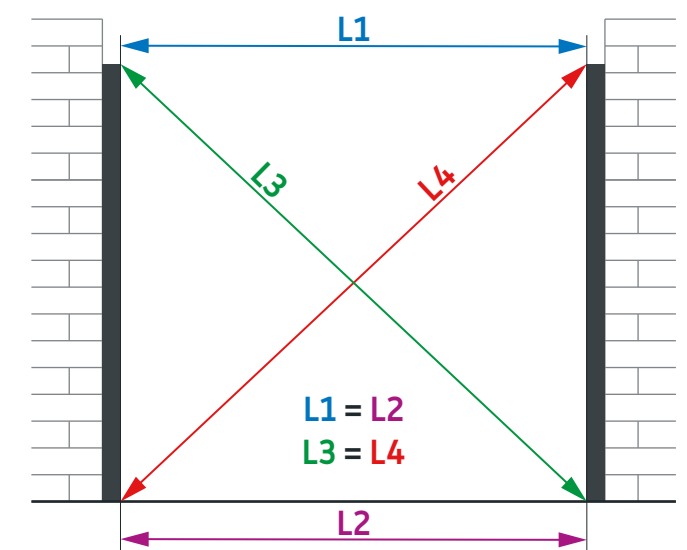
**11.4** Install the rear parts of the guide rails to the wall.



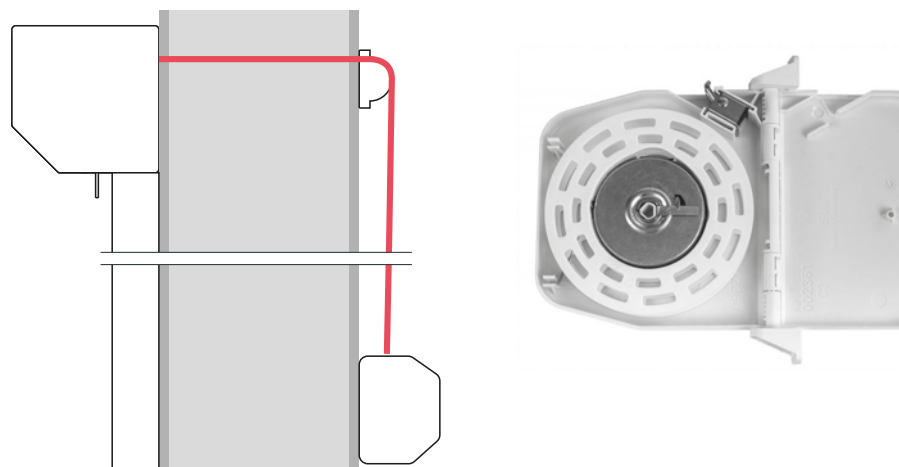
Level the guide rails and adjust their spacing to the width of the box.

Fix the mounting pins (suitable for the bed) through the mounting holes (see point 6).

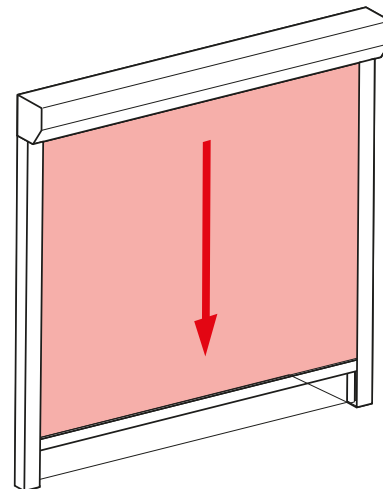
**11.5** Check the width and diagonals.



**11.6** Install the strap coiler and run the strap through the elements. Then open the coiler and carefully lift the locking plate (the coiler will begin to loosen).



**11.7** Unroll the fabric maximally.



**11.8** Tie the end of the strap / cord to the characteristic plate, then close the box and check the operation of the product.

