

# Pergolas

V150

V188 LUX

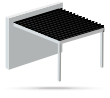


**Sunshade  
Experts**



**Modern sunshade  
solutions  
for your comfort**



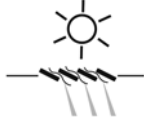


# Pergola bioclimatic

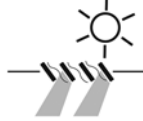
Enjoy the sun



Lammels closed



Lammels 45° opened



Lammels 125° opened



Lammels 90° opened







Enjoy the sun thanks to

# PERGOLA bioclimatic

Bioclimatic pergola is the perfect solution for additional space in the comfort of your home garden, as well as aesthetic and luxurious restaurant terraces. The pergola has become a „must have” for all lovers of spending time outdoors, while at home.



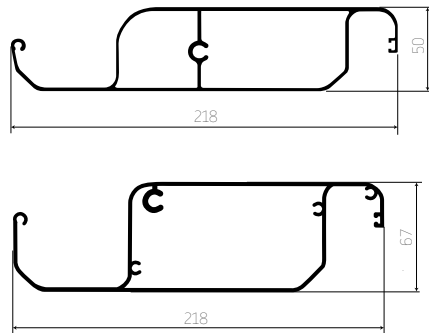
Our models are characterized by excellent quality, solid workmanship, modern lighting and integrated vertical sun visors.

The V125 bioclimatic pergola is a solution suited to almost every terrace.





## Lammels



### Standard colors:

Beams and supports:



RAL 7016 Structural color  
Anthracite

Lammels:



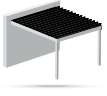
RAL 9016 Mat  
White



### Water outflow integrated with support

The rain water outflow system is integrated with gutter system. 2 exits for each of modules. Drainage 85l/min

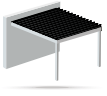




## Pergola V150

Impressive maximum dimensions reaching up to 6.0 x 6.0 m, flat roof lammels equipped with LED lighting, water drainage and full automation place this product among luxury items that will change the quality of your rest in the garden or on the terrace.

Max dimensions: **600 x 600 cm**  
Max height to the beam: **260 - 280 cm**  
Lighting - **optional**

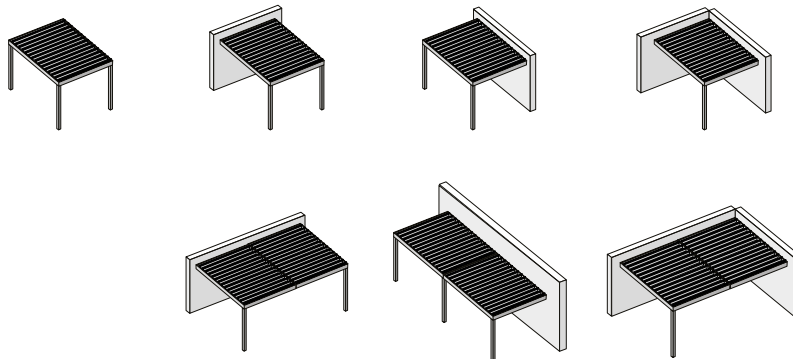


## Pergola V188 LUX

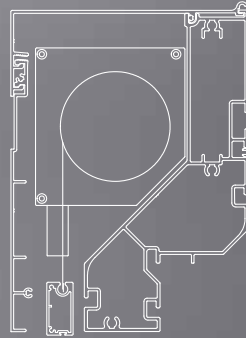
A unique model of bioclimatic pergola, characterized by integrated screen / zip vertical sun visors. The pergola posts have integrated guides. The upper structure hides the screen fabric rolling system, as invisible as the guide rails.

Impressive maximum dimensions reaching up to 7.0 x 7.0 m, flat roof lammels equipped with LED lighting, water drainage and full automation place this product among luxury items that will change the quality of your rest in the garden or on the terrace.

Max dimensions: **700 x 7 00 cm**  
Max height to the beam: **260 - 300 cm**  
Lighting - **optional**







Vertical cover is completely integrated with pergola's structure. When the cover is raised, the load beam is hidden.



■ [www.sunshade-experts.com](http://www.sunshade-experts.com)



Droma - Sunshade Experts Sp. z o.o.  
Street: Karola Goduli 4  
41-807 Zabrze, Poland

☎ +31 631 590 915

✉ [info@sunshade-experts.com](mailto:info@sunshade-experts.com)

