

Standard casing colours RS Classic

Colour closest to RAL*

Colour	RAL 9001 Cream	RAL 9010 Pure White	RAL 9016 Traffic White	CO - natural (anodised)	RAL 9006 White aluminium	RAL 7016 Anthracite gray	Tiger 29/80081 Iron Glimmer (structural)	STR 7516 Anthracite (structural)
RS Classic 75 45°	•	•	•	•	•	•	•	•
RS Classic 85 45°	•	•	•	•	•	•	•	•
RS Classic 85 half-round	•	•	•	•	•	•	•	•
RS Classic 85 square	•	•	•	•	•	•	•	•
RS Classic 95 45°	•	•	•	•	•	•	•	•
RS Classic 95 square	•	•	•	•	•	•	•	•
RS Classic 95 round	•	•	•	•	•	•	•	•
RS Classic 105 45°	•	•	•	•	•	•	•	•
RS Classic 105 square	•	•	•	•	•	•	•	•
RS Classic 120 half-round	•	•	•	•	•	•	•	•
RS Classic 120 closed	•	•	•	•	•	•	•	•
RS Classic 125 45°	•	•	•	•	•	•	•	•
RS Classic 125 square	•	•	•	•	•	•	•	•



Your supplier of sun protection systems

RS Classic

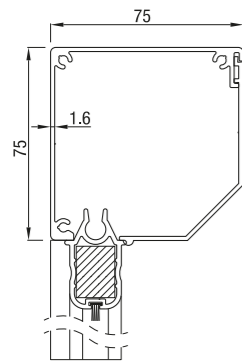
The RS Classic system is distinguished by narrow guide rails, so it works well in small window spaces. A box with side guide rails integrated with a PVC or fibreglass fabric, which is durable and resistant to weather conditions such as gusty wind, hail or rain.

Additionally, thanks to the properties of the fabrics used, they ensure visual comfort inside the building - on the one hand, they do not give the effect of darkening, and on the other hand, they suppress the penetration of intense sunlight. The system is designed for large architectural projects and has an excellent price-quality ratio.



RS Classic 75 45°

RS Classic 75 45°

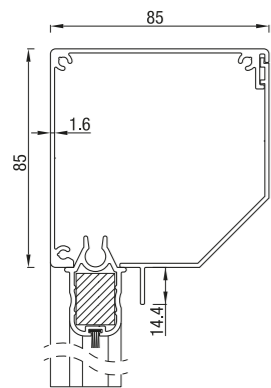


	Maximum	width (cm)	height (cm)	area (m ²)
RS Classic 75	230	75	170	3,9

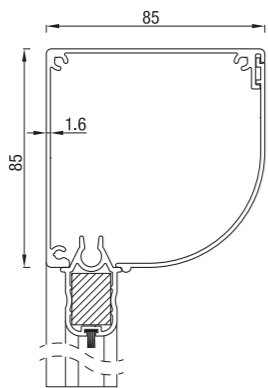
RS Classic 85 only available with motor control.

RS Classic 85

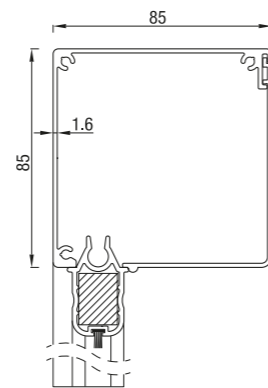
RS Classic 85 45°



RS Classic 85 half-round



RS Classic 85 square

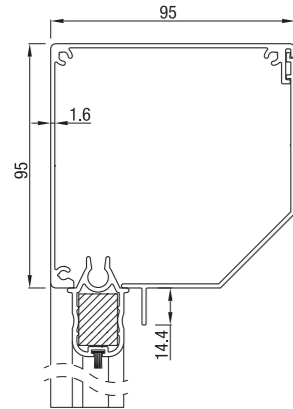


	Maximum	width (cm)	height (cm)	area (m ²)
RS Classic 85	300	85	200	6,0

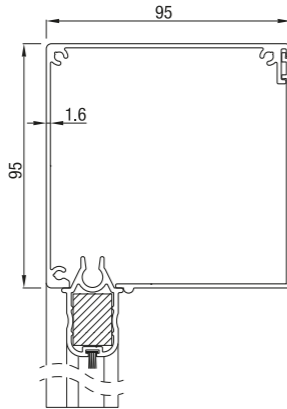
RS Classic 85 only available with motor control.

RS Classic 95

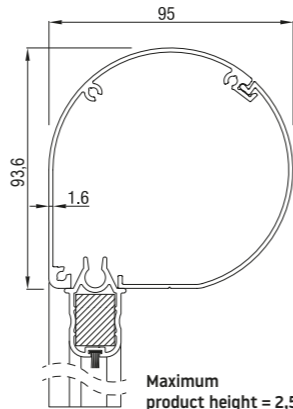
RS Classic 95 45°



RS Classic 95 square



RS Classic 95 round

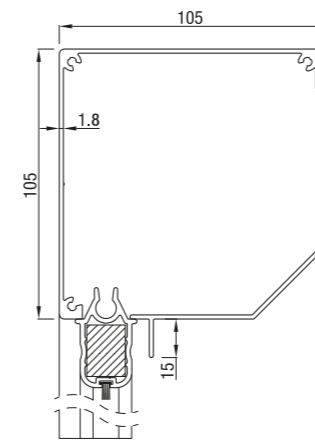


	Maximum	width (cm)	height (cm)	area (m ²)
RS Classic 95	350	95	280	7,9

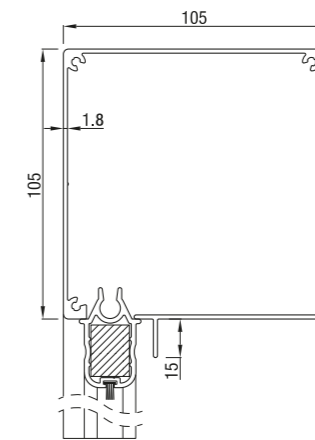
Crank operation in RS Classic 95 is possible up to 150 cm height (for higher products only with motor control).

RS Classic 105

RS Classic 105 45°



RS Classic 105 square

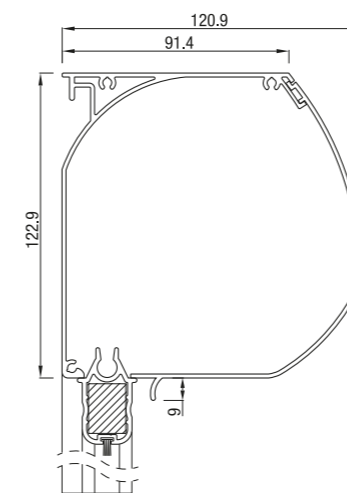


	Maximum	width (cm)	height (cm)	area (m ²)
RS Classic 105	450	105	350	14,0

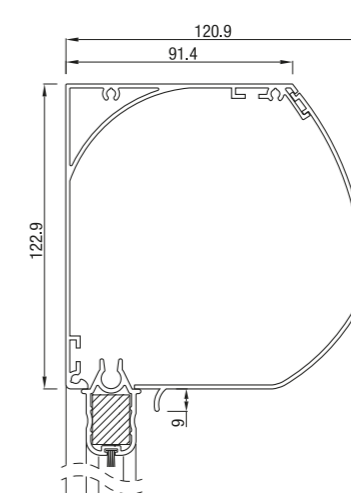
Motor and crank operation are possible in RS Classic 105.

RS Classic 120 / 125

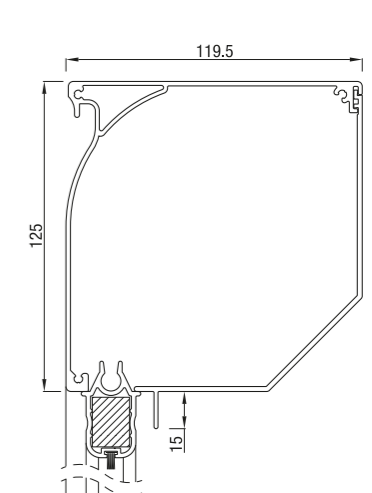
RS Classic 120 half-round



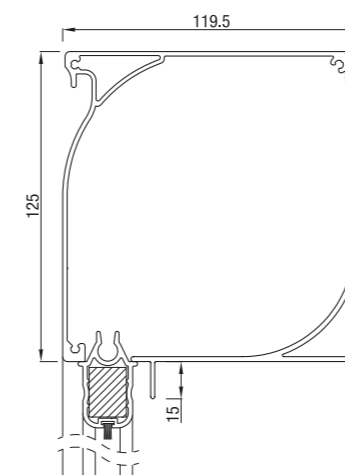
RS Classic 120 closed



RS Classic 125 45°



RS Classic 125 square



	Maximum	width (cm)	height (cm)	area (m ²)
RS Classic 120 / 125	450	120	450	16,0

Motor and crank operation are possible in RS Classic 120 and 125.