



Your supplier of sun protection systems

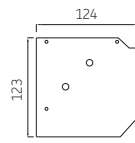
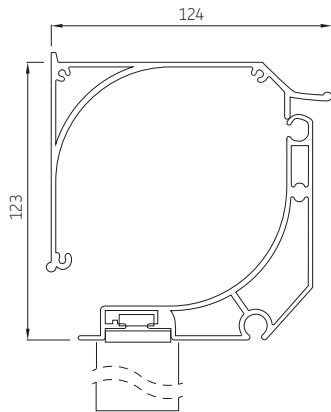
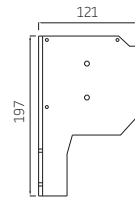


Carre 95 / 110

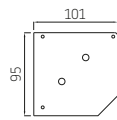
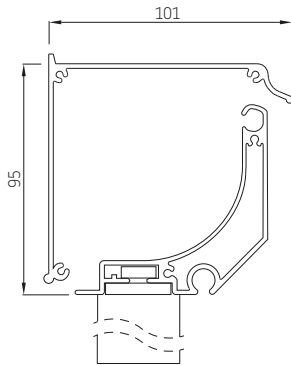
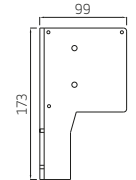
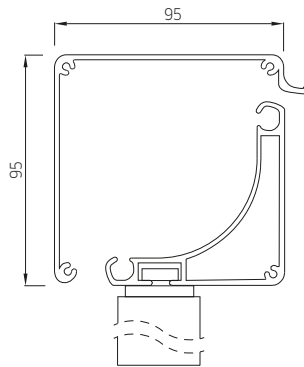
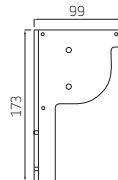
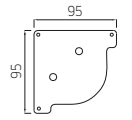


Carre drop-arm awnings have a movable, tilting arms that allow easy access to the outer window sill. They are mounted on the outside of windows to protect the interior of the room from overheating and to control light intensity for a more comfortable stay inside. These awnings are made from a durable fabric that is resistant to adverse atmospheric conditions. Durability is ensured by PVC-coated glass fibres. Windows protected by such blinds, unlike external blinds, allow natural light to enter the room without the need for additional lighting. They are often used in multi-storey buildings. Carre offers effective solar protection while maintaining good visibility from the window downwards.



CARRE 110 45° – General information

Side plate A

Side console B
Maximum dimensions

	width (cm)	width coupled (cm)	Tube diameter (cm)
Carre 110	600	700	78

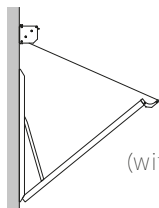
CARRE 95 45° – General information

Side plate A

Side console C

Side console D

Side console E
Maximum dimensions

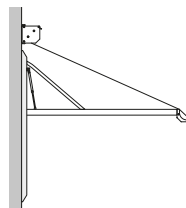
	width (cm)	width coupled (cm)	Tube diameter (cm)
Carre 95	400	700	63

Available in 3 colours:

RAL 9001
Cream

RAL 9010
Pure white

CO - natural (anodised)
Storm-resistant arm

Standard
(with aluminum hinge)

Slide-arm with gas spring

Balcony arm
